

DRHT

DOUBLE RATCHET HAND TOOL

Ideal for use in small spaces, this professional-grade, high-quality tool features a built-in power transmission designed for effortless setting of larger-sized blind rivet nuts.

INSTALLATION SIZES: 6-32 TO 3/8-24 (M4 – M10)

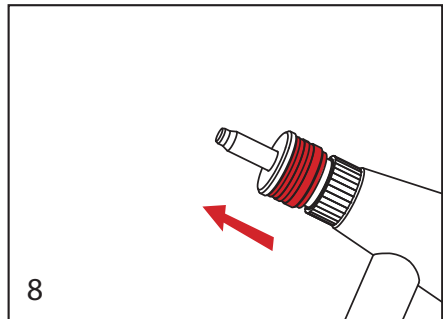
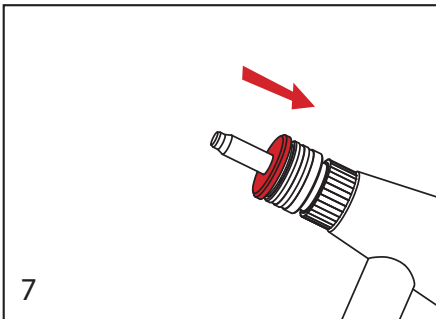
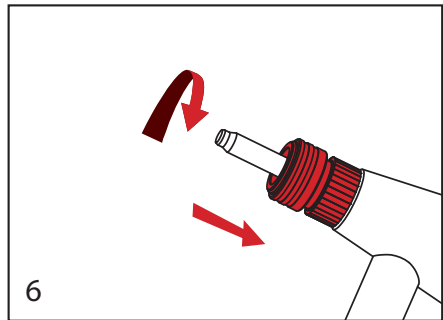
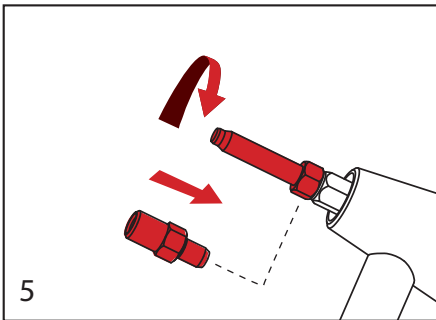
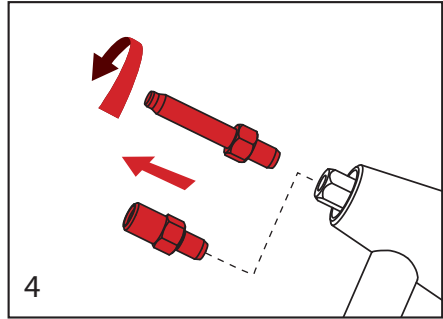
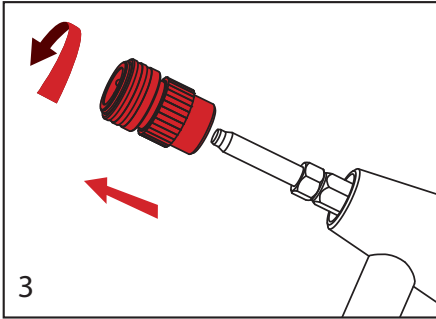
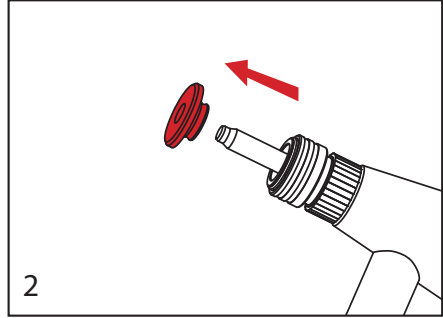
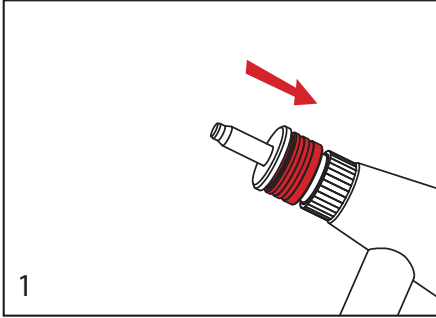
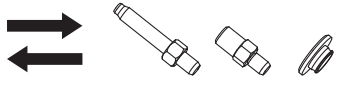
DRHT (IMPERIAL TOOL) INCLUDES: 10-32, 1/4-20, 5/16-18, AND 3/8-16 SET UPS

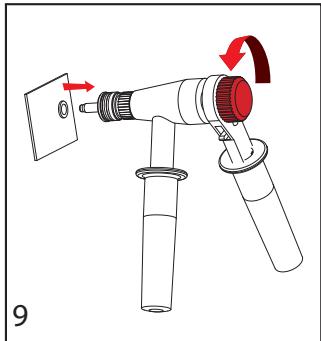
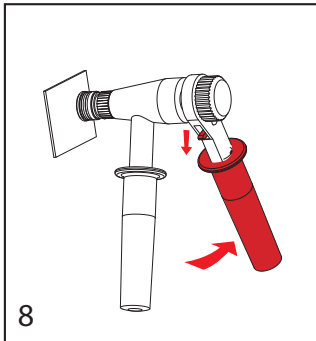
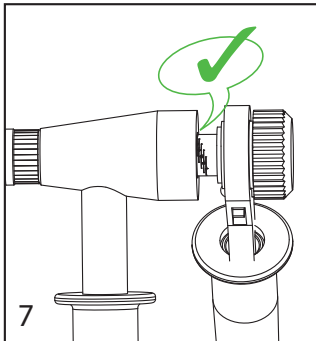
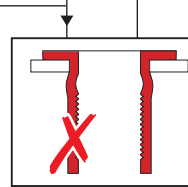
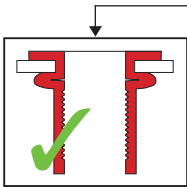
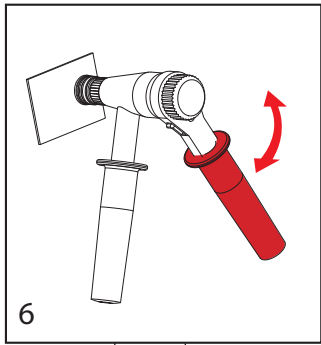
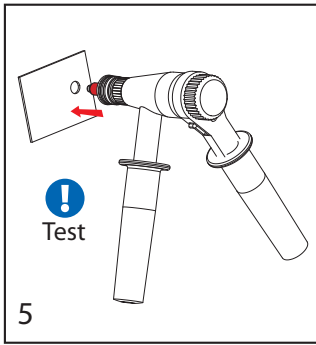
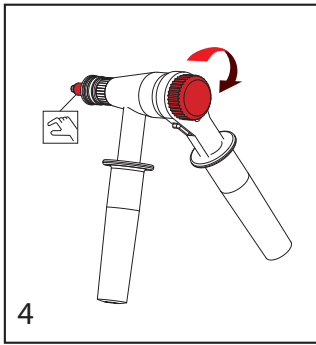
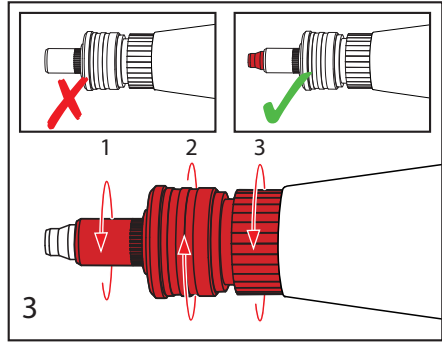
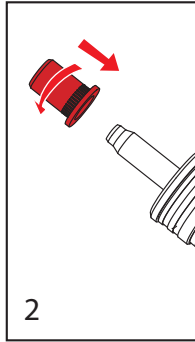
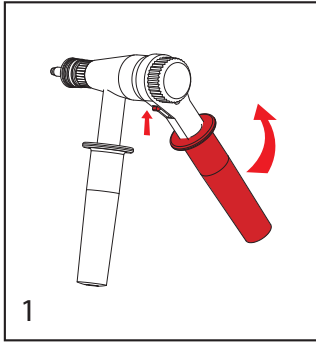
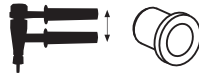
DRHT (METRIC TOOL) INCLUDES: M5, M6, M8, AND M10 SET UPS

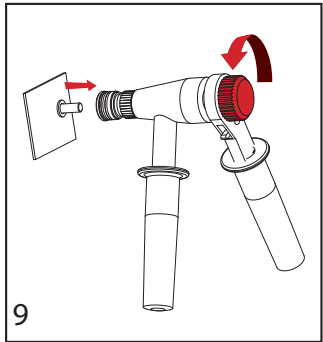
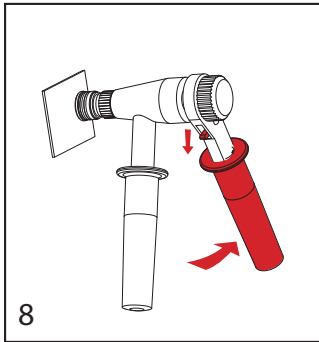
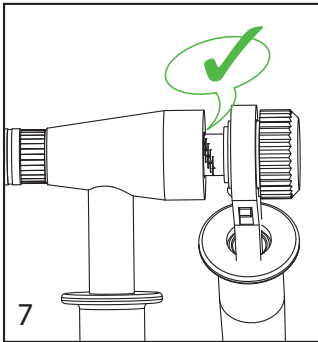
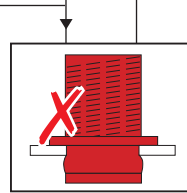
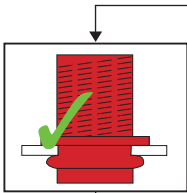
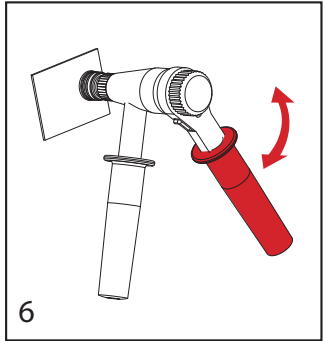
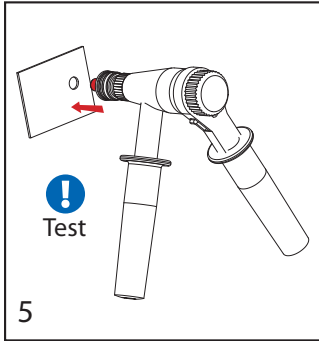
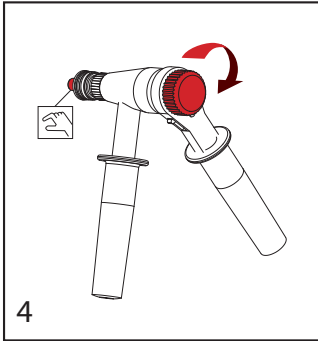
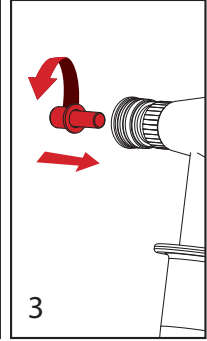
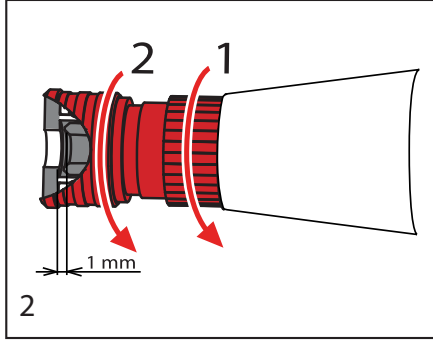
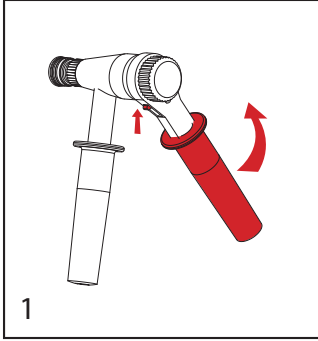
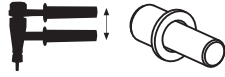
WEIGHT: 2.80 POUNDS (1.25 KG)

DIMENSIONS: 8.35" (21.2CM)

QUICK SETUP





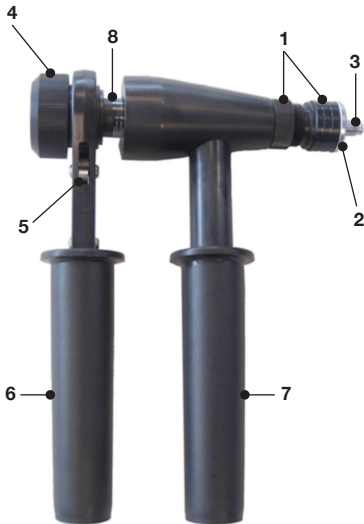


SETUP



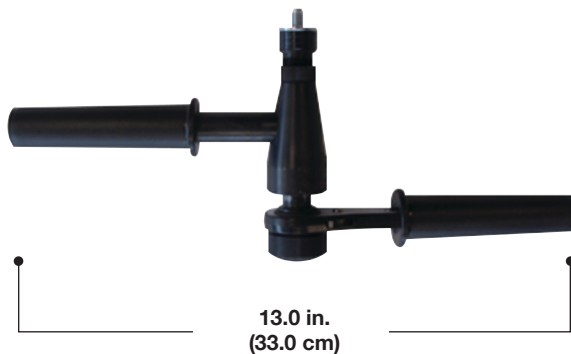
1. Remove the nosepiece **(1)** from the tool.
2. Thread the shorter portion of the mandrel **(3)** into the silver threaded portion of the tool, align the flat surfaces.
3. Thread the nosepiece **(1)** over the mandrel **(3)** back onto the tool until it is securely fastened.
4. Snap the anvil **(2)** onto the front of the nosepiece **(1)**.

INSTALLATION SEQUENCE



1. Thread rear assembly **(4)** so the first line of the stroke indicator lines **(8)** is visible.
2. Adjust the nosepiece **(1)** for the specific rivet nut type so that the rivet nut receives full thread engagement on the mandrel **(3)**.
3. Thread rivet nut fully onto tool, contacting anvil **(2)**.
4. Insert the rivet nut into the hole of your application while it is threaded onto the tool.
5. Using the ratchet toggle **(5)**, set tool for clockwise rotation.
6. Grasp the handles **(6, 7)** & separate them so that they are at a 45 degree angle or less, moving the back handle **(6)** counterclockwise.
7. Move the back handle **(6)** clockwise until it is parallel with the front handle **(7)**.
8. Stroke can be determined by the indicator lines **(8)** which are in mm.
9. Turn the rear assembly **(4)** counterclockwise & remove the tool from the application.

TOOL DIMENSIONS



SHEREX PART NUMBERS



THREAD SIZE	SHEREX HEAD SET PART NO. (includes Anvil & Mandrel)	SHEREX ANVIL PART NO.	SHEREX MANDREL PART NO.
#6-32	MHS-0632	MA-0632	M-0632
#8-32	MHS-0832	MA-0832	M-0832
#10-24	MHS-1024	MA-1024	M-1024
#10-32	MHS-1032	MA-1032	M-1032
1/4-20	MHS-2520	MA-2520	M-2520
1/4-28	MHS-2528	MA-2528	M-2528
5/16-18	MHS-3118	MA-3118	M-3118
5/16-24	MHS-3124	MA-3124	M-3124
3/8-16	MHS-3716	MA-3716	M-3716
3/8-24	MHS-3724	MA-3724	M-3724
M4	MHS-M4	MA-M4	M-M4
M5	MHS-M5	MA-M5	M-M5
M6	MHS-M6	MA-M6	M-M6
M8	MHS-M8	MA-M8	M-M8
M10	MHS-M10	MA-M10	M-M10

FOR CUSTOMER SERVICE CALL 866.474.3739

SHEREX FASTENING SOLUTIONS LINE OF TOOLING

HAND TOOLS



PNEUMATIC TOOLS



HYDRO-PNEUMATIC TOOLS



SHEREX.COM

400 Riverwalk Parkway, Suite 600
Tonawanda, NY 14150 USA
sherex.com | info@sherex.com
Toll-free: 866.474.3739

